

Type 478



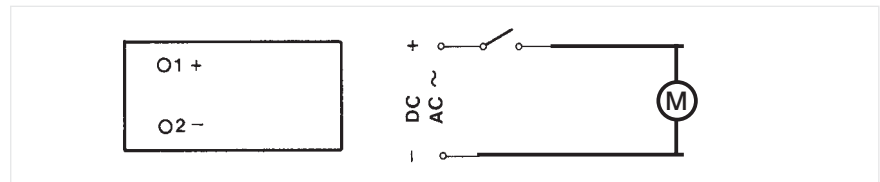
TECHNICAL DATA

Plug-in Time Counters for Modular System 400

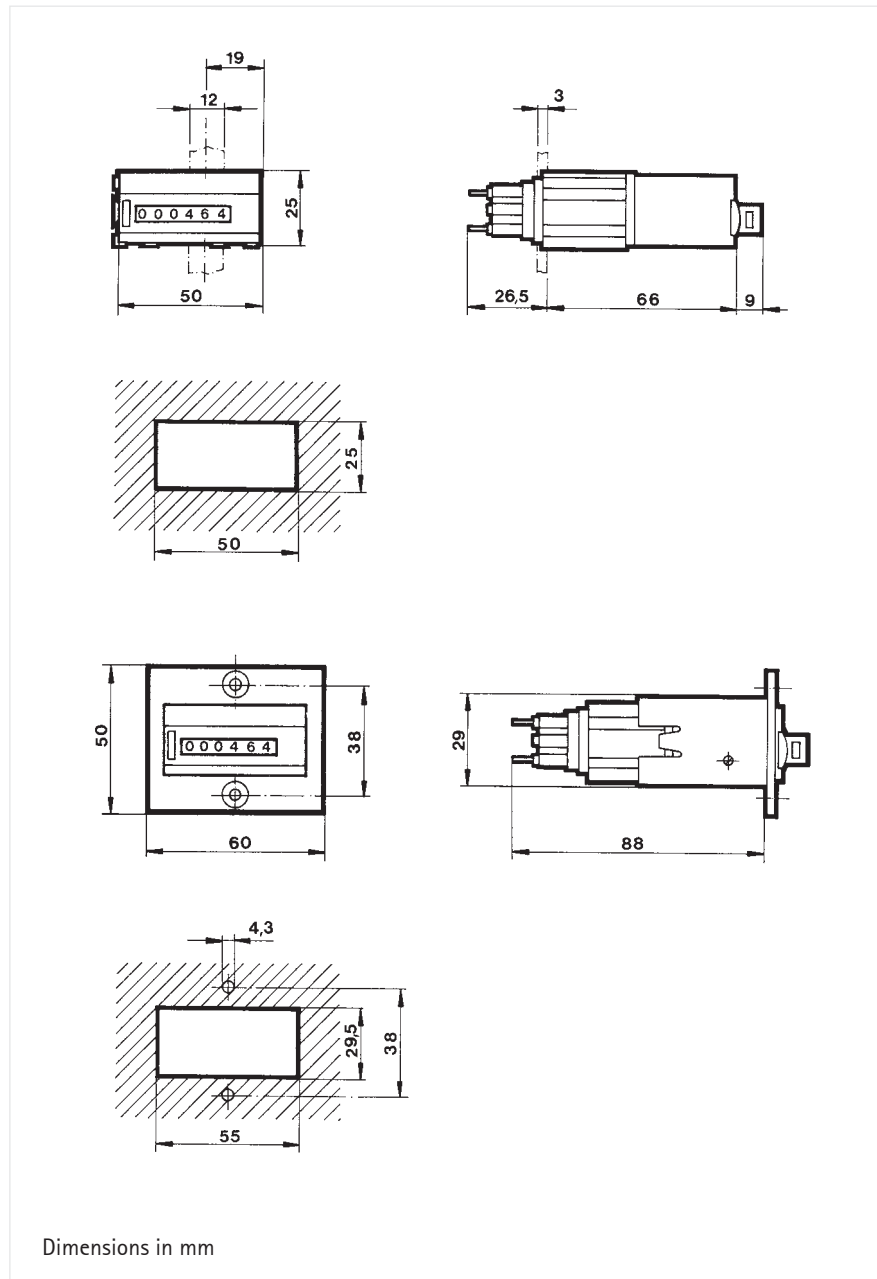
- 6 or 7-digit display
- With or without reset
- Simple installation
- Easy maintenance through plug-in system
- Can be combined with other counters in the modular system 400

Display	6 or 7-digit, depending on version
Counting range	0 ... 9999.99 h or 0 ... 99999.99 h, depending on version
Digit height	4 mm
Supply voltage V_{op}	acc. to order information, tolerance + 10 %
Power consumption	approx. 1 VA
Operating temperature	- 10 ... + 50 °C
Storage temperature	- 20 ... + 70 °C
Protection class (EN 60529)	front IP 40, connections IP 00
Vibrostability	50 m/s ² acc. to IEC 068-2-6
Shock stability	600 m/s ² (6 ms) acc. to IEC 068-2-27
General design	according EN 61010-1, EN 50178
Contamination Level	2
Protection	according to class II
Overtoltage category	II
Reset	depending on version - manual reset with key or button - without reset

CONNECTION DIAGRAM



DIMENSIONS



ORDER INFORMATION
Counter

Voltage	6-digit with reset			7-digit with reset		
	50 Hz	60 Hz	DC	50 Hz	60 Hz	DC
12 V	-	-	0 478 160	-	-	-
24 V	0 478 101	-	0 478 121	0 478 111	0 478 112	0 478 123
115 V	0 478 103	0 478 104	-	0 478 113	0 478 114	-
220 V	0 478 105	0 478 106	-	0 478 115	0 478 116	-

Standard accessories

Connection box	Ordering Code 1 405 464
Panel frame, black	Ordering Code 1 405 491
Key reset system	Ordering Code + SR e.g. 0 478 160 SR
Case, covers	see „accessories“

Time counters/
Timer relays