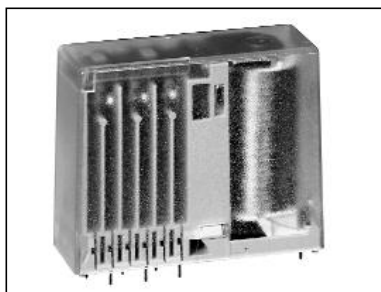


Safety Relay K-RDA



General

- 6 contacts
- Forced guided contact set
- According to EN 50205, application type A
- Ambient temperature -15 ... +70 °C
- Soldering heat resistance 260 °C/5s
- RoHS compliance

Connections

- Soldering pins for PCB, pre-soldered with Sn100

Drive

- Direct current, neutral monostable

Approvals

- cULus • TÜV

Standards

- EN 50205 • IEC 61810-1 • UL 508

Technical Data mechanical

Dimensions L x W x H (in mm)	55 x 20,5 x 44
Shock resistance NO-contact/NC-contact	10/7 g, 16 ms Half sinus
Vibration resistance NO-contact/NC-contact	5/5 g, 5 - 50 Hz
Operating time NC-contact, contact opens	typical 13 ms
Operating time NO-contact, contact closes	typical 15 ms
Releasing time NO-contact, contact opens	typical 5 ms
Releasing time NC-contact, contact closes	typical 7 ms
Mechanical service life (without load)	>10 ⁷ cycles
Weight	80 g

Technical Data electrical

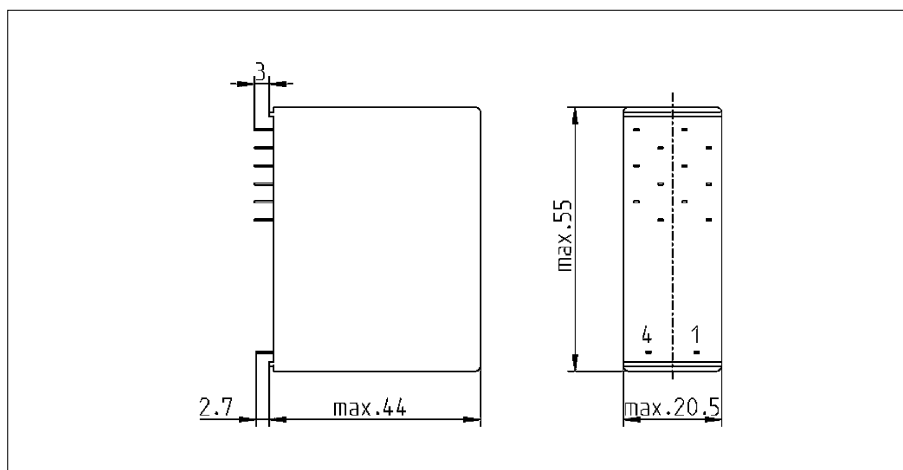
Max. switching capacity	AC 2.000 VA, DC *W
Max. switching voltage	AC 230/240 V, DC *V
Max. switching current	8 A
Constant current I _{th2}	8 A
Constant current I _{th2} at the same time over 2 contacts	5,6 A
Constant current I _{th2} at the same time over 3 contacts	4,6 A
Constant current I _{th2} at the same time over 4 contacts	4,0 A
Switching capacity NO/NC-contact AC-15 230/240 V	I _e = 4/1,5 A
NO/NC-contact DC-13 24 V	I _e = 1,2/1,2 A
Electrical service life (with nominal load)	>10 ⁵ cycles
Short-circuit capacity 1.000 A/AC 230 V	10 A gL/gG-fuse
* see DC-switching capacity	

Insulation

Over voltage category (Ü) III	B-I = Basic insulation
Degree of pollution (V) 2	V-I = Reinforced (double) insulation
Insulating material group II	

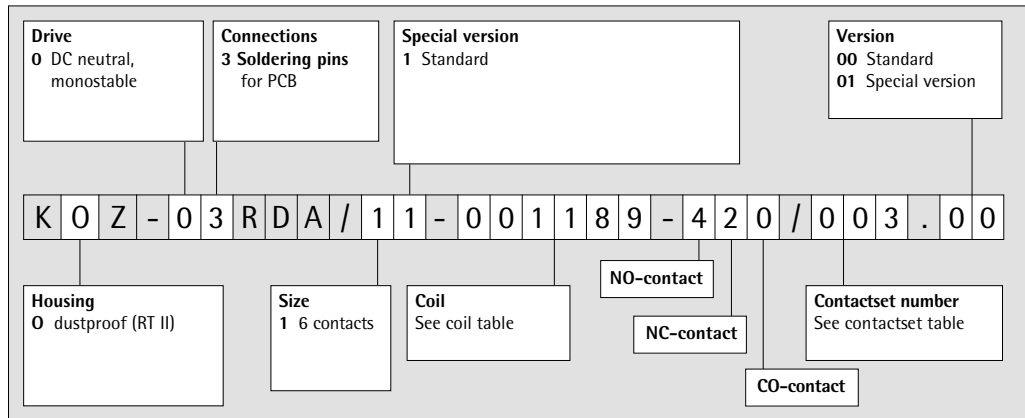
Insulation between	Nominal voltage network system		Air-/creeping distance	Test voltage 50Hz/60s
	AC 120/240 V	AC 230/400 V		
Contact - Contact	V-I	B-I	> 3 mm	AC 2.500 V
Contactset - Drive	V-I	B-I	> 3 mm	AC 2.500 V

Dimensions



Safety Relay K-RDA

Type key



Contactset table

Number of contacts NO/NC/CO-contacts	AgSnO ₂ +0,2 μm Au	AgSnO ₂ +2 μm Au	Contact material
330	001	002	Contactset number
420	003	004	

Coil table

All values at ambient temperature $T_u = 20\text{ °C}$

Coil-No.	Resistance R/Ω	Resistance- tolerance ±	U ₁ /V	U ₂ /V	U ₃ /V	U _{rück} /V	Printing U _{nom} /V
1226	50	5%	4,3	13,3	10	0,3	6
1321	140	6%	7,5	22,2	17	0,5	12
1189	590	8%	15,5	45,2	34	1,0	24
1468	2.500	7%	31,8	93,5	71	2,0	48
1511	3.000	7%	35,1	102,3	78	2,2	60
1506	11.500	9%	71,7	199,2	156	4,4	110
1103	42.600	12%	141,4	379,1	293	8,4	220

U₁: Minimum operating voltage with consideration of coil self heating

U₂: Thermal restricted maximum coil voltage

U₃: Maximum admissible coil voltage to realize a contact gap of > 0.5 mm also at a contact fault

U_{rück}: Releasing voltage

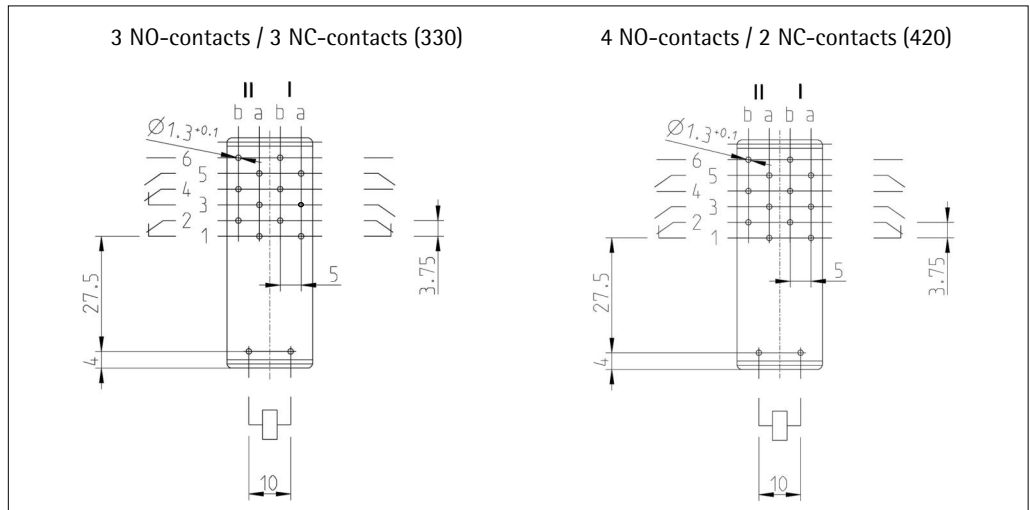
Further coils are possible and available

Running type

Article-No.	Type key	Printing U _{nom}	U ₁ /V	U ₂ /V	U ₃ /V	U _{rück} /V
RDA-0784	KOZ-03RDA/11-001189-420/003.00	DC 24 V	15,5	45,2	34	1,0
RDA-0785	KOZ-03RDA/11-001189-420/004.00	DC 24 V	15,5	45,2	34	1,0
RDA-0886	KOZ-03RDA/11-001189-330/001.00	DC 24 V	15,5	45,2	34	1,0
RDA-0902	KOZ-03RDA/11-001468-330/001.00	DC 48 V	31,8	93,5	71	2,0
RDA-0904	KOZ-03RDA/11-001468-420/003.00	DC 48 V	31,8	93,5	71	2,0

Safety Relay K-RDA

Connection grid View on soldering side



Diagrams

